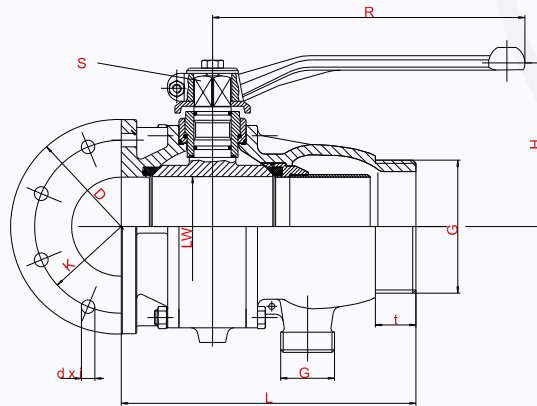


Products

Ball Valve with Injector 470



PROVEN & RELIABLE
FOR USE IN:

INDUSTRIAL

FUEL HANDLING

BULK HANDLING

TANK TRUCK CONSTR.

SILO TRUCK CONSTR.

PROKOSCH ball valve with injector for accelerated material flow No. 470

Side one flange per DIN 28460, side two male pipe thread per DIN 259, air supply male pipe thread per DIN 259

Prokosch 470-series ball valves use fewer individual parts, have space-saving elements, are based on a practical modular principle and are easy to switch. The free cylindrical pass reduces flow resistance to a minimum and the dual-sided bearing configuration of the ball ensures a uniformly low switching torque throughout the entire pressure region.

- ▶ Nominal size 80 and 100 available in material combinations 2, 4, 7 and 9.
- ▶ "Teflon/O-ring spring-mounted" design with strong seal system, developed specifically for use with powdered and granular goods.
- ▶ "FA" design with aerodynamic jam-free discharge flange for use with media that easily clog the fitting.
- ▶ Special designs regarding material and design are available upon request.

Nom. width DN	LW	Nom. press. PN	Dimensions									Approx. weight (kg)			
			L	D	K	dxi	t	H	R	G1	G2	SW	4	2,7	9
80	78	10	245	154	130	11,5x8	24	150	270	R3"	R1½"	19	11,6	15,0	12,3
100	97	10	283	174	150	14,0x8	24	175	330	R4"	R2"	27	19,5	26,5	20,8