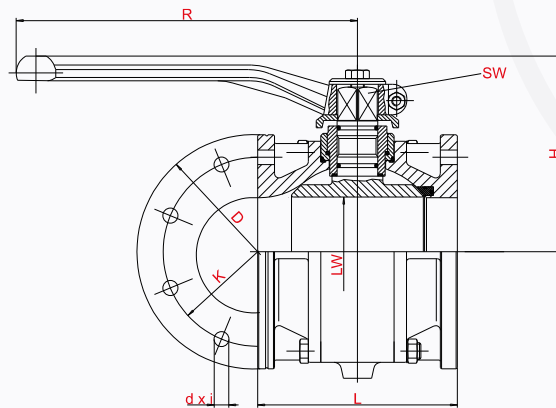


# Products

## Flange Ball Valve 420



PROVEN & RELIABLE  
FOR USE IN:

INDUSTRIAL

FUEL HANDLING

BULK HANDLING

TANK TRUCK CONSTR.

SILO TRUCK CONSTR.

### PROKOSCH Ball Valve for Tank Trucks No. 420

Dual-sided flange per DIN 28480

Prokosch 420-series ball valves use fewer individual parts, have space-saving elements, are based on a practical modular principle and are easy to switch. The free cylindrical pass reduces flow resistance to a minimum and the dual-sided bearing configuration of the ball ensures a uniformly low switching torque throughout the entire pressure region.

- ▶ Nominal size 50 to 100 available in all material combinations.
- ▶ "Teflon/special casing" design with self-adjusting seal system for a permanent fitting seal. Particularly suitable for fluids such as mineral oils. Standard production O-rings made of Viton or lower priced buna-N.
- ▶ "Teflon/O-ring spring-mounted" design with strong seal system, developed specifically for use with powdered and granular goods.
- ▶ "Stainless steel/O-ring spring-mounted" design with metallic seal system for a long tool life when using abrasive materials.
- ▶ Standard design with manual lever. "SO" design set up for automation.
- ▶ "FA" design with aerodynamic jam-free discharge flange for use with media that easily clog the fitting.
- ▶ Special designs regarding material and design are available upon request.

Nom. width DN	Bore	Nom. press. PN	Dimensions								Approx. weight (kg)				
			L	D	K	dxi	H	R	SW	5	3,4	1,2,6,7,10	8,9		
50	50	10	142	154	130	11,5x8	130	250	17			3,5	4,3	8,1	4,5
65	64	10	160	154	130	11,5x8	140	270	19			5,0	6,5	11,2	6,9
80K	78	10	140	154	130	11,5x8	150	270	19			5,2	7,4	12,8	8,0
80L	78	10	168	154	130	11,5x8	150	270	19			5,6	7,8	13,5	8,4
100	97	10	180	174	150	14,0x8	175	330	27			9,2	13,2	22,5	14,2