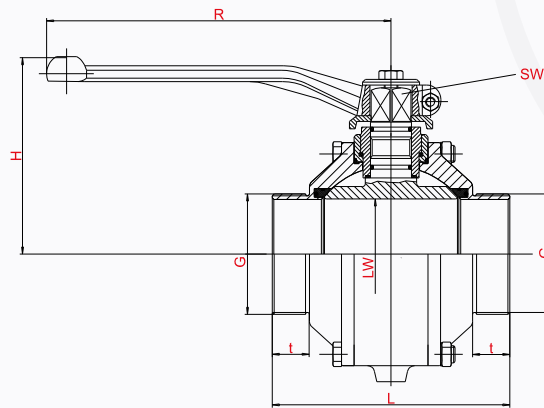




Products

Ball Valve 440



PROVEN & RELIABLE
FOR USE IN:

INDUSTRIAL

FUEL HANDLING

BULK HANDLING

TANK TRUCK CONSTR.

SILO TRUCK CONSTR.

PROKOSCH Ball Valve No. 440

Dual-sided male pipe thread per DIN 259

Prokosch 440-series ball valves use fewer individual parts, have space-saving elements, are based on a practical modular principle and are easy to switch. The free cylindrical pass reduces flow resistance to a minimum and the dual-sided bearing configuration of the ball ensures a uniformly low switching torque throughout the entire pressure region.

- ▶ Nominal size 50 to 100 available in all material combinations.
- ▶ "PTFE/special casing" design with self-adjusting seal system for a permanent fitting seal. Particularly suitable for fluids such as mineral oils. Standard production O-rings made of FPM or lower priced buna-N.
- ▶ "PTFE/O-ring spring-mounted" design with strong seal system, developed specifically for use with powdered and granular goods.
- ▶ "Stainless steel/O-ring spring-mounted" design with metallic seal system for a long tool life when using abrasive materials.
- ▶ Standard design with manual lever. "SO" design set up for automation.
- ▶ "FA" design with aerodynamic jam-free discharge flange for use with media that easily clog the fitting.
- ▶ Special designs regarding material and design are available upon request.

Nom. width DN	LW	Nom. press PN	Dimensions							Approx. weight (kg)			
			L	H	R	t	G	SW	5	3,4	1,2,6, 7,10	8,9	
2"	50	16	138	130	250	20	R2"	17	2,0	2,8	5,2	3,0	
2 1/2"	64	16	156	140	270	20	R2 1/2"	19	3,9	5,4	8,8	5,8	
3"	78	16	180	150	270	24	R3"	19	4,9	7,0	11,2	7,6	
4"	97	16	210	175	330	25	R4"	27	8,2	12,4	21,3	13,6	