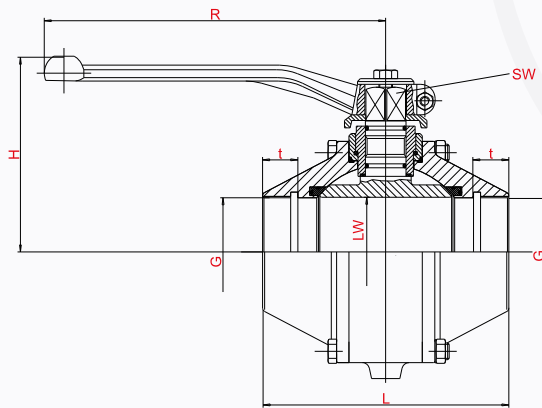


Products

Ball Valve 450



PROVEN & RELIABLE
FOR USE IN:

INDUSTRIAL

FUEL HANDLING

BULK HANDLING

TANK TRUCK CONSTR.

SILO TRUCK CONSTR.

PROKOSCH Ball Valve No. 450

Dual-sided female pipe thread per DIN 259

Prokosch 450-series ball valves use fewer individual parts, have space-saving elements, are based on a practical modular principle and are easy to switch. The free cylindrical pass reduces flow resistance to a minimum and the dual-sided bearing configuration of the ball ensures a uniformly low switching torque throughout the entire pressure region.

- ▶ Nominal size 40 only available in material combination 5
Nominal size 50 to 100 available in all material combinations.
- ▶ "PTFE/special casing" design with self-adjusting seal system for a permanent fitting seal. Particularly suitable for fluids such as mineral oils. Standard production O-rings made of FPM or lower priced buna-N.
- ▶ "PTFE/O-ring spring-mounted" design with strong seal system, developed specifically for use with powdered and granular goods.
- ▶ "Stainless steel/O-ring spring-mounted" design with metallic seal system for a long tool life when using abrasive materials.
- ▶ Standard design with manual lever. "SO" design set up for automation.
- ▶ "FA" design with aerodynamic jam-free discharge flange for use with media that easily clog the fitting.
- ▶ Special designs regarding material and design are available upon request.

Nom. width DN	LW	Nom. press. PN	Dimensions							Approx. weight (kg)				
			L	H	R	t	G	SW	5	3,4	1,2,6,7,10	8,9		
1 1/2"	39	16	130	120	250	22	R1 1/2"	17	1,9	---	---	---		
2"	50	16	145	130	250	23	R2"	17	2,3	3,3	5,9	3,5		
2 1/2"	64	16	165	140	270	25	R2 1/2"	19	4,0	5,5	8,8	6,0		
3"	78	16	195	150	270	28	R3"	19	5,3	7,4	12,5	8,0		
4"	97	16	220	175	330	30	R4"	27	8,8	13,0	23,0	13,9		