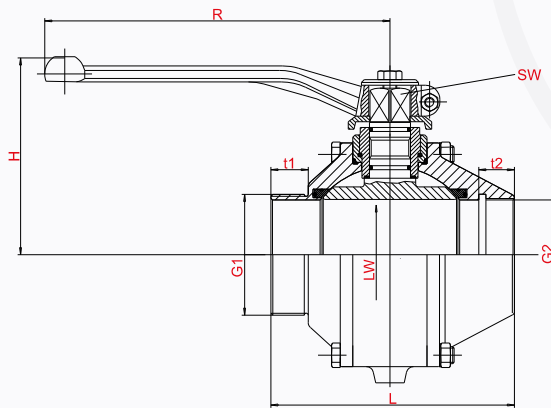




# Products

## Ball Valve 460



PROVEN & RELIABLE  
FOR USE IN:

INDUSTRIAL

FUEL HANDLING

BULK HANDLING

TANK TRUCK CONSTR.

SILO TRUCK CONSTR.

### PROKOSCH Ball Valve No. 460

Side one male pipe thread per DIN 259, side two female pipe thread per DIN 259

Prokosch 460-series ball valves use fewer individual parts, have space-saving elements, are based on a practical modular principle and are easy to switch. The free cylindrical pass reduces flow resistance to a minimum and the dual-sided bearing configuration of the ball ensures a uniformly low switching torque throughout the entire pressure region.

- ▶ Nominal size 50 to 100 available in all material combinations.
- ▶ "PTFE/special casing" design with self-adjusting seal system for a permanent fitting seal. Particularly suitable for fluids such as mineral oils. Standard production O-rings made of FPM or lower priced buna-N.
- ▶ "PTFE/O-ring spring-mounted" design with strong seal system, developed specifically for use with powdered and granular goods.
- ▶ "Stainless steel/O-ring spring-mounted" design with metallic seal system for a long tool life when using abrasive materials.
- ▶ Standard design with manual lever. "SO" design set up for automation.
- ▶ "FA" design with aerodynamic jam-free discharge flange for use with media that easily clog the fitting.
- ▶ Special designs regarding material and design are available upon request.

Nom. width DN	LW	Nom. press. PN	Dimensions								Approx. weight (kg)			
			L	H	R	t1	t2	G1	G2	SW	5	3,4	1,2,6 7,10	8,9
2"	50	16	141	130	250	20	23	R2"	R2"	17	2,4	3,2	5,7	3,4
2 1/2"	64	16	160	140	270	20	25	R2 1/2"	R2 1/2"	19	4,0	5,5	8,8	6,0
3"	78	16	187	150	270	24	28	R3"	R3"	19	5,0	7,1	11,7	7,7
4"	97	16	216	175	330	25	30	R4"	R4"	27	8,9	12,7	22,3	13,9