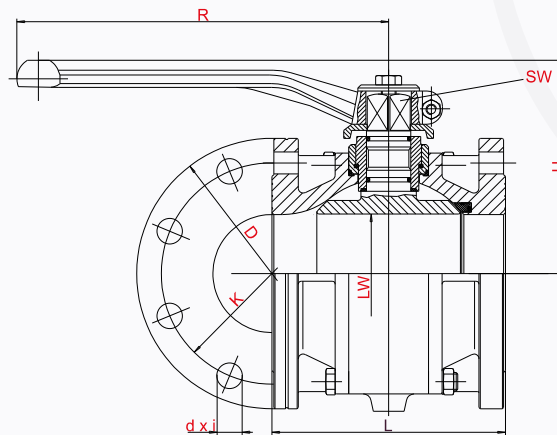




# Products

## Flange Ball Valve 400



PROVEN & RELIABLE  
FOR USE IN:

INDUSTRIAL

FUEL HANDLING

BULK HANDLING

TANK TRUCK CONSTR.

SILO TRUCK CONSTR.

### PROKOSCH Flange Ball Valve No. 400

Installation length per EN 558-1 - Flanges per DIN 2501

Prokosch 400-series ball valves use fewer individual parts, have space-saving elements, are based on a practical modular principle and are easy to switch. The free cylindrical pass reduces flow resistance to a minimum and the dual-sided bearing configuration of the ball ensures a uniformly low switching torque throughout the entire pressure region.

- ▶ Nominal size 50 to 100 available in all material combinations. Nominal size 125 and 150 not available in material combination 5.
- ▶ "PTFE/special casing" design with self-adjusting seal system for a permanent fitting seal. Particularly suitable for fluids such as mineral oils. Standard production O-rings made of FPM or lower priced buna-N.
- ▶ "PTFE/O-ring spring-mounted" design with strong seal system, developed specifically for use with powdered and granular goods.
- ▶ "Stainless steel/O-ring spring-mounted" design with metallic seal system for a long tool life when using abrasive materials.
- ▶ Standard design with manual lever. "SO" design set up for automation.
- ▶ "FA" design with aerodynamic jam-free discharge flange for use with media that easily clog the fitting.
- ▶ Special designs regarding material and design are available upon request.

Nom. width DN	Bore	Nom. press. PN	Dimensions								Approx. weight (kg)				
			L	D	K	dxi	H	R	SW	5	3,4	1,2,6,7,10	8,9		
50	50	16	150	165	125	18x4	130	250	17			3,8	4,5	9,3	4,5
65	64	16	170	185	145	18x4	140	270	19			5,0	7,5	13,7	8,0
80	78	16	180	200	160	18x8	150	270	19			7,0	9,0	17,0	9,5
100	97	16	190	220	180	18x8	175	330	27			11,3	14,2	28,5	16,0
125	122	16	200	250	210	18x8	200	300/600	27			---	26,5	42,0	27,5
150	150	16	350	285	240	22x8	250	600	35			---	43,3	81,5	44,3